



TM

**FULCRUM®**

**2006**

**RACING WHEELS  
SPARE PARTS & TOOLS**



# 2006 RACING WHEELS Spare Parts & Tools

## **RIMS AND SPOKES / CERCHI E RAGGI / JANTES ET RAYONS**

RACING SPEED tubular.....	3
RACING LIGHT clincher.....	6
RACING 1 clincher (BLACK & SILVER).....	9
RACING 1 tubular (SILVER).....	10
RACING 3 clincher (BLACK & SILVER).....	13
RACING 5 clincher (BLACK & SILVER).....	16

## **HUBS / MOZZI / MOYEUX**

RACING SPEED - front.....	4
RACING SPEED - rear.....	5
RACING LIGHT - front.....	7
RACING LIGHT - rear.....	8
RACING 1 - front.....	11
RACING 1 - rear.....	12
RACING 3 - front.....	14
RACING 3 - rear.....	15
RACING 5 - front.....	17
RACING 5 - rear.....	18

<b>Quick-releases / bloccaggi / blocages.....</b>	<b>19</b>
---	-----------

<b>Tools / utensili / outils.....</b>	<b>20</b>
---------------------------------------	-----------

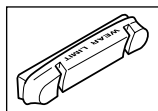
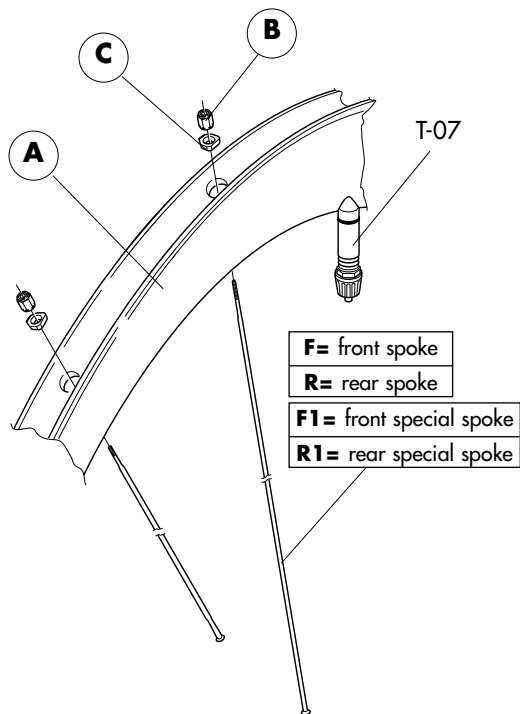
<b>Various / vari / diverses.....</b>	<b>20</b>
---------------------------------------	-----------

# INDEX



# RACING SPEED tubular

## RIMS & SPOKES/CERCHI E RAGGI/JANTES ET RAYONS



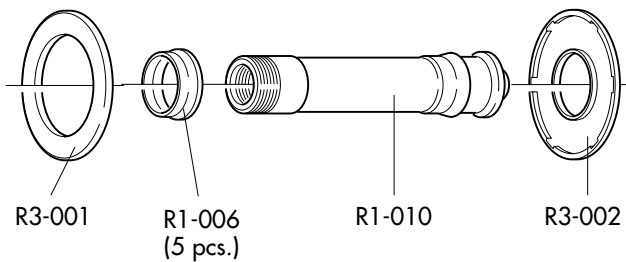
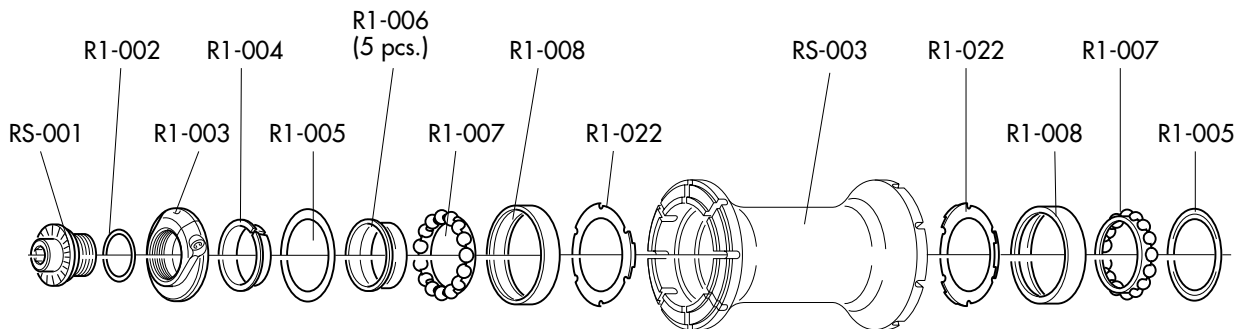
**BR-RE701** (Campagnolo)  
**BR-701X** (Shimano Dura-Ace)

COMPLETE WHEELS	A	Compl. KIT	MINI-KIT
<b>FRONT</b>			
RS-6TF tubular 28"	<b>RSF-TRK</b>	<b>RSF-SK</b> (16F+2F1+18B+18C)	<b>RS-MK</b> (1F+1F1+1R right +1R left+1R1 right+5B+5C)
<b>REAR</b>			
RS-6TRKC RS-6TRKS10 tubular 28"	<b>RSR-TRK</b>	<b>RSR-SK</b> (12R right+7R left +2R1 right+21C)	
FRONT WHEEL	F + B + C	F1 + B + C	
RS-6TF tubular 28"	<b>RSF-S</b> L. 263 mm (10 pcs.)	<b>RS-FS1</b> L. 263 mm (1 pc.)	
REAR WHEELS	R + B + C	R1 + B + C	
RS-6TRKC RS-6TRKS10 tubular 28"	<b>RSR-S</b> L. 265 mm (10 pcs.)	<b>RSR-SR1</b> L. 265 mm (1 pc.)	
B	C	<b>COMPLETE LABEL KIT</b> (front+rear) <b>RS-LAB6T</b>	
<b>RS-B</b> (10 pcs.)	<b>RS-C</b> (10 pcs.)		



# RACING SPEED

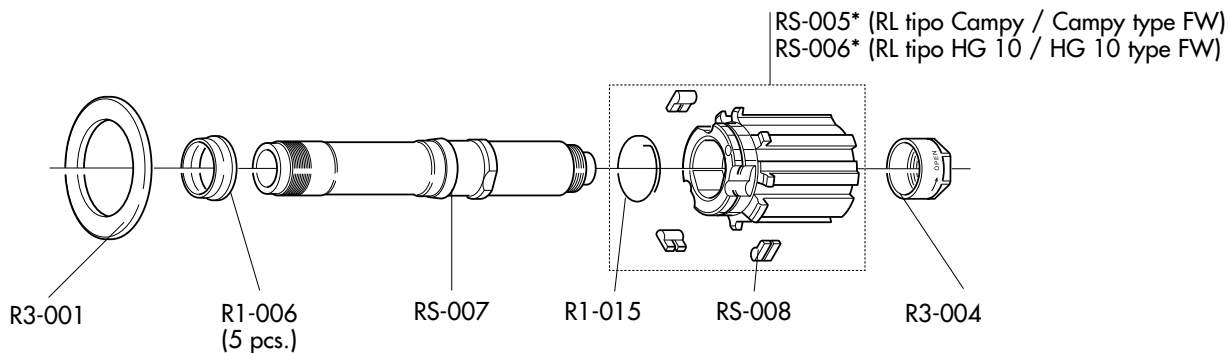
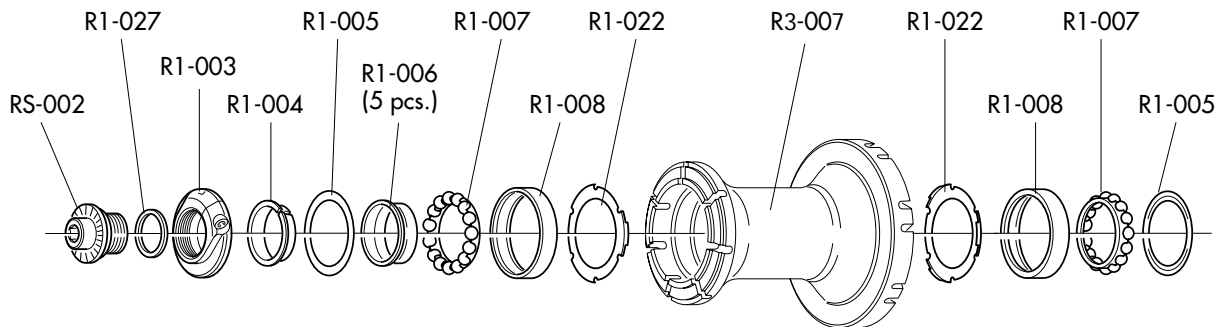
## FRONT HUB/MOZZO ANTERIORE/MOYEU AVANT





# RACING SPEED

## REAR HUB/MOZZO POSTERIORE/MOYEU ARRIERE

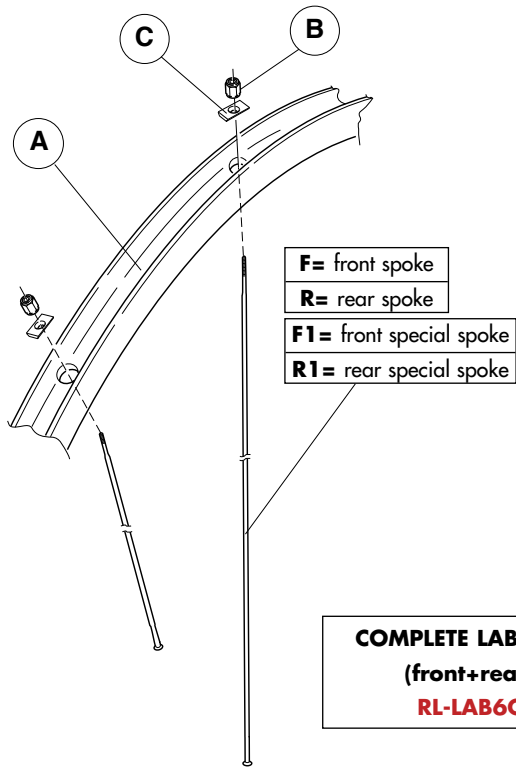


\* compatible only with new axle code RS-007

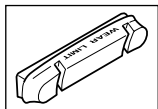


# RACING LIGHT clincher

## RIMS & SPOKES/CERCHI E RAGGI/JANTES ET RAYONS

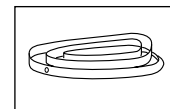


**COMPLETE LABEL KIT**  
 (front+rear)  
**RL-LAB6C**



**BR-RE702** (Campagnolo)  
**BR-702X** (Shimano Dura-Ace)

COMPLETE WHEELS	A	Compl. KIT	MINI-KIT
<b>FRONT</b>			
RL-6CFK clincher 28"	<b>RLF-CRK</b>	<b>RLF-SK</b> (20F+2F1+22C+22B)	<b>RL-MK</b> (1F+1F1+1R right+1R1 right+1R left+2C front+3C rear+5B)
<b>REAR</b>			
RL-6CRKC RL-6CRKS10 clincher 28"	<b>RLR-CRK</b>	<b>RLR-SK</b> (14R right+2R1 right+ 8R left+22B+22C)	



RIM TAPE 16 mm:  
**RL-RT**

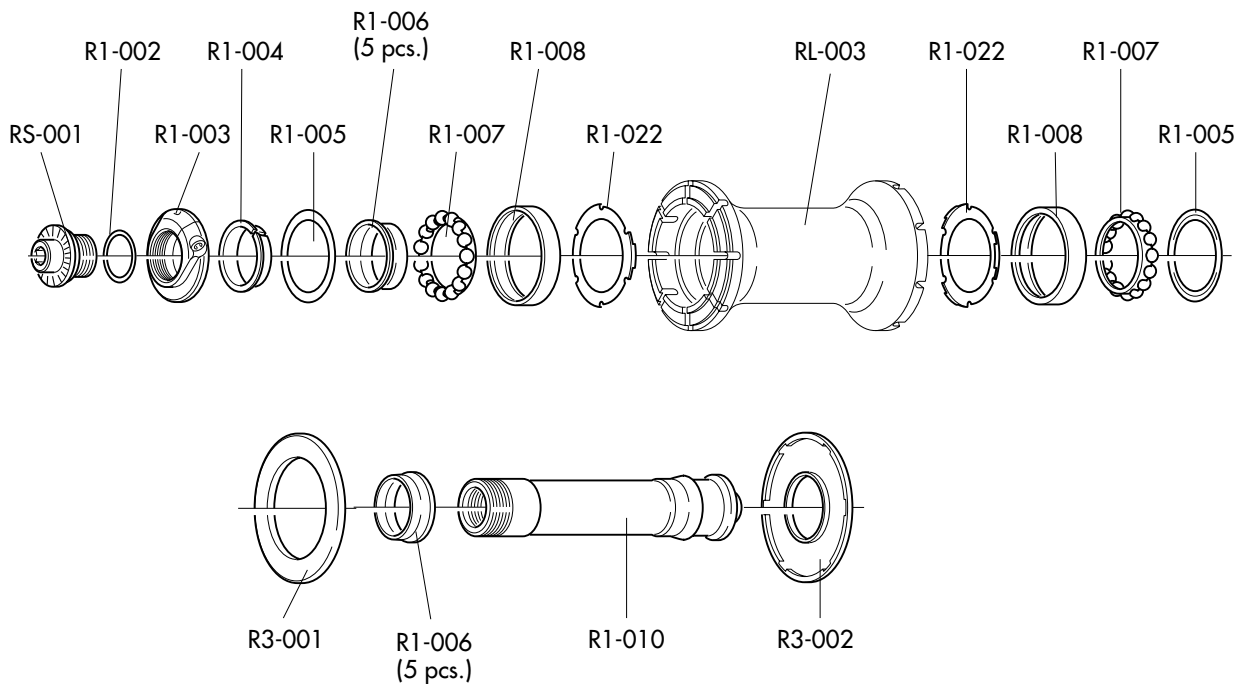
FRONT WHEEL	F + B + C	F1 + B + C	
RL-6CFK clincher 28"	<b>RLF-S</b> L. 290 mm (10 pcs.)	<b>RLF-SF1</b> L. 290 mm (1 pc.)	
REAR WHEELS	R right + B + C	R1 right + B + C	R left + B + C
RL-6CRKC RL-6CRKS10 clincher 28"	<b>RLR-SR</b> L. 288 mm (10 pcs.)	<b>RLR-SR1</b> L. 288 mm (1 pc.)	<b>RLR-SL</b> L. 290 mm (10 pcs.)

B	C front	C rear
<b>RS-B</b> (10 pcs.)	<b>RL-CF</b> (10 pcs.)	<b>RL-CR</b> (10 pcs.)



# RACING LIGHT

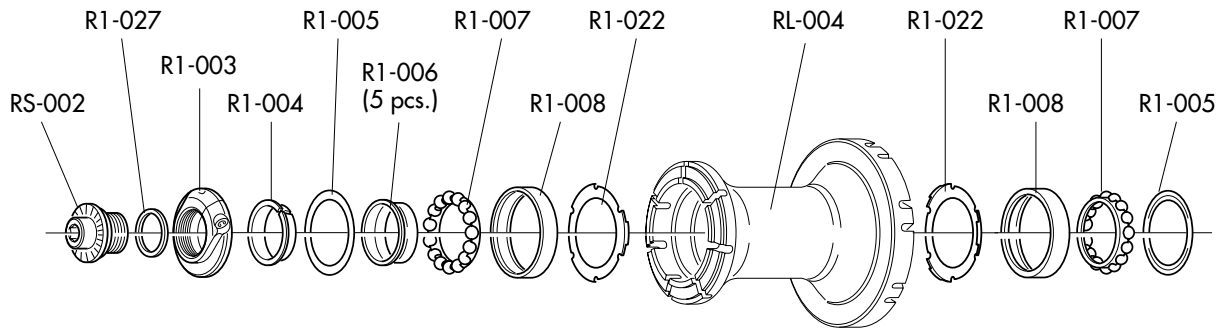
## FRONT HUB/MOZZO ANTERIORE/MOYEU AVANT



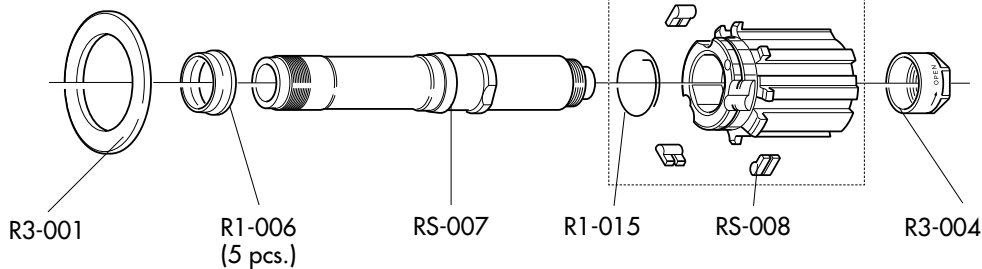


# RACING LIGHT

## REAR HUB/MOZZO POSTERIORE/MOYEU ARRIERE



RS-005\* (RL tipo Campy / Campy type FW)  
RS-006\* (RL tipo HG 10 / HG 10 type FW)

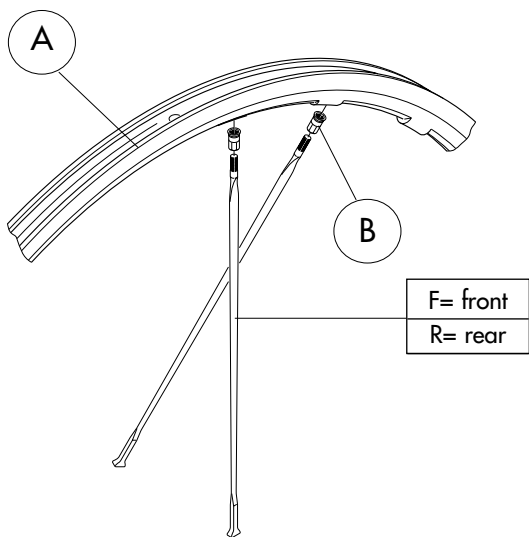






# RACING 1 clincher

## RIMS & SPOKES/CERCHI E RAGGI/JANTES ET RAYONS



### COMPLETE LABEL KIT (front+rear)

**Black: R1-LAB6CB**

**Silver: R1-LAB6CS**

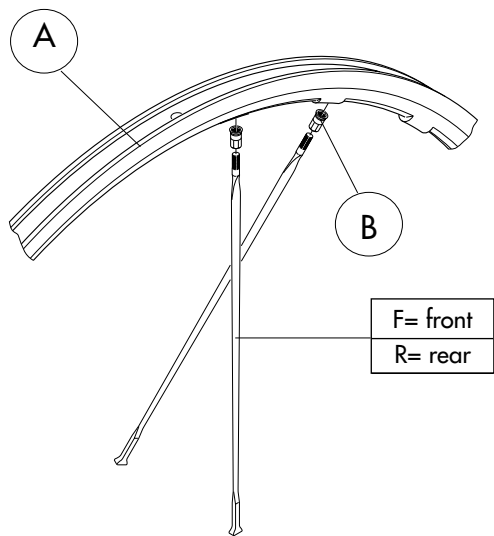
COMPLETE WHEELS	A	Compl. KIT
<b>FRONT</b>		
R1-5CFB BLACK	<b>R1F-CRB</b>	<b>R1F-SKB</b> (16F)
R1-5CFS SILVER	<b>R1F-CRS</b>	<b>R1F-SKS</b> (16F)
<b>REAR</b>		
R1-5CRBC R1-5CRBS10 BLACK	<b>R1R-CRB</b>	<b>R1R-SKB</b> (21R)
R1-5CRSC R1-5CRSS10 SILVER	<b>R1R-CRS</b>	<b>R1R-SKS</b> (21R)

COMPLETE WHEELS	F	R	B
R1-5CFB BLACK	<b>R1F-SB</b> L. 281 mm (1F+1B)		<b>R1-N10</b> (10 pcs.)
R1-5CFS SILVER	<b>R1F-SS</b> L. 281 mm (1F+1B)		
R1-5CRBC R1-5CRBS10 BLACK		<b>R1R-SB</b> L. 284 mm (1R+1B)	
R1-5CRSC R1-5CRSS10 SILVER		<b>R1R-SS</b> L. 284 mm (1R+1B)	



# RACING 1 tubular

RIMS & SPOKES/CERCHI E RAGGI/JANTES ET RAYONS



COMPLETE WHEELS	A	Compl. KIT
<b>FRONT</b>		
R1-6TFS SILVER	<b>R1F-TRS</b>	<b>R1F-SKS</b> (16F)
<b>REAR</b>		
R1-6TRSC R1-6TRSS10 SILVER	<b>R1R-TRS</b>	<b>R1R-SKS</b> (21R)

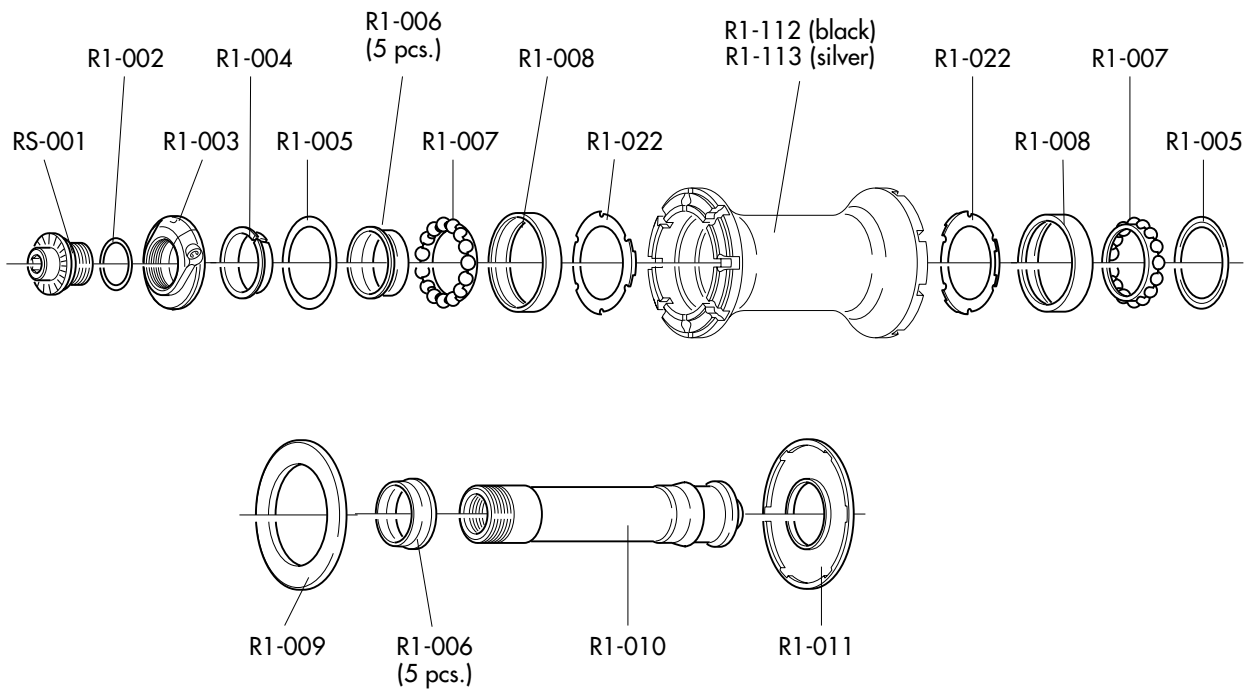
COMPLETE WHEELS	F	R	B
R1-6TFS SILVER	<b>R1F-SS</b> L. 281 mm (1F+1B)		<b>R1-N10</b> (10 pcs.)
R1-6TRSC R1-6TRSS10 SILVER		<b>R1R-SS</b> L. 284 mm (1R+1B)	

**COMPLETE LABEL KIT**  
(front+rear)  
**R1-LAB6T**



# RACING 1

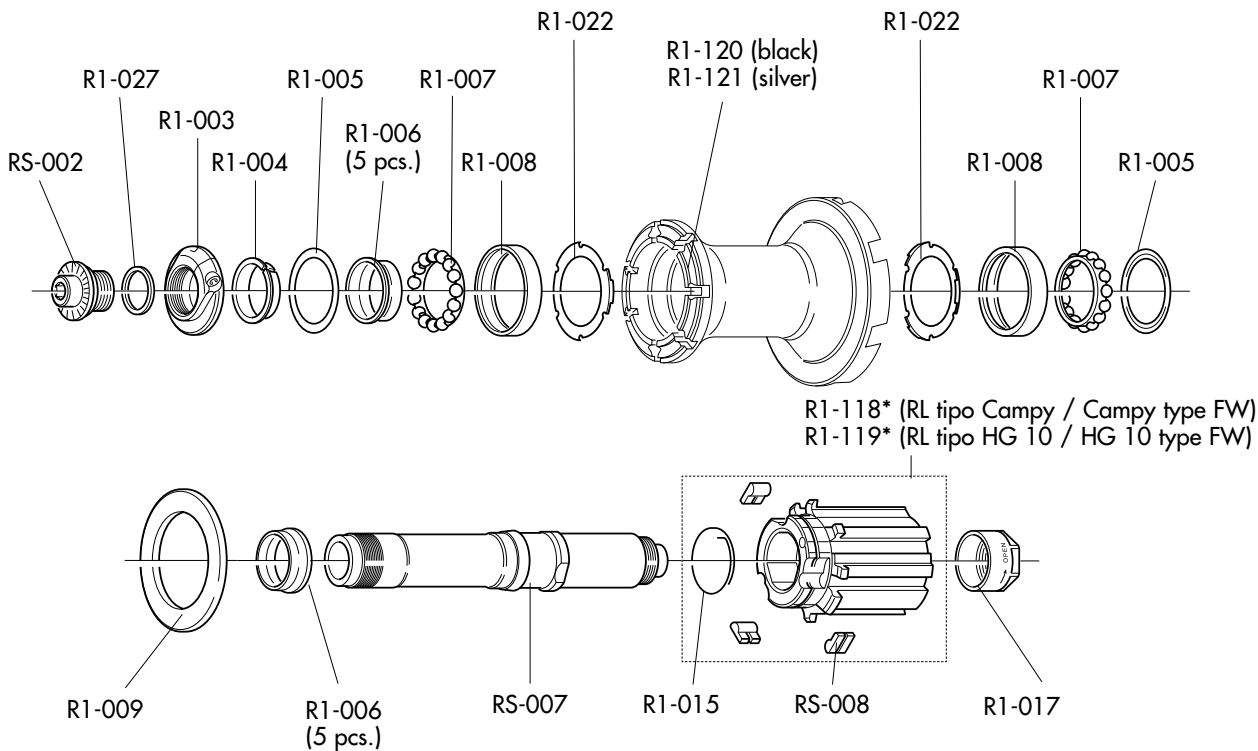
## FRONT HUB/MOZZO ANTERIORE/MOYEU AVANT





# RACING 1

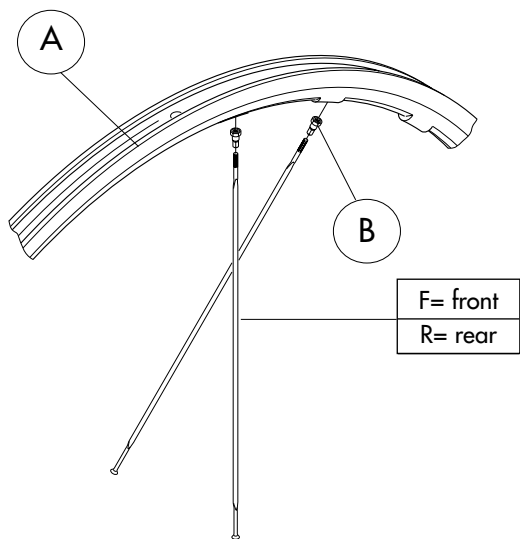
## REAR HUB/MOZZO POSTERIORE/MOYEU ARRIERE





# RACING 3 clincher

## RIMS & SPOKES/CERCHI E RAGGI/JANTES ET RAYONS



### COMPLETE LABEL KIT (front+rear)

**Black: R3-LAB6CB**

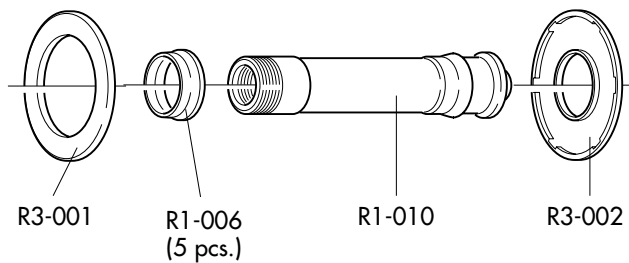
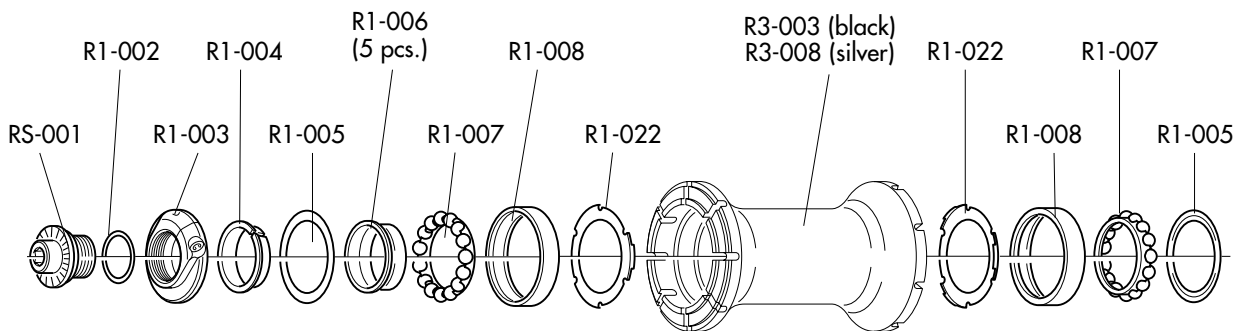
**Silver: R3-LAB6CS**

COMPLETE WHEELS	A	Compl. KIT	MINI-KIT
<b>FRONT</b>			
R3-5CFB BLACK	<b>R3F-CRB</b>	<b>R3F-SKB</b> (16F+16B)	<b>R3-MKB</b> (black) (2F+2R right +2R left+6B)
R3-6CFS SILVER	<b>R3F-CRS</b>	<b>R3F-SKS</b> (16F+16B)	
<b>REAR</b>			
R3-5CRBC R3-5CRBS/S10 BLACK	<b>R3R-CRB</b>	<b>R3R-SKB</b> (14 R right + 7 R left + 21 B)	<b>R3-MKS</b> (silver) (2F+2R right +2R left+6B)
R3-6CRSC R3-6CRSS/S10 SILVER	<b>R3R-CRS</b>	<b>R3R-SKS</b> (14 R right + 7 R left + 21 B)	
COMPLETE WHEELS	F + B	R right + B	R left + B
R3-5CFB BLACK	<b>R3F-SB10</b> L. 281 mm (10 pcs.)		
R3-6CFS SILVER	<b>R3F-SS10</b> L. 281 mm (10 pcs.)		
R3-5CRBC R3-5CRBS/S10 BLACK		<b>R3R-SBR10</b> L. 284 mm (10 pcs.)	<b>R3R-SBL10</b> L. 282 mm (10 pcs.)
R3-6CRSC R3-6CRSS/S10 SILVER		<b>R3R-SSR10</b> L. 284 mm (10 pcs.)	<b>R3R-SSL10</b> L. 282 mm (10 pcs.)



# RACING 3

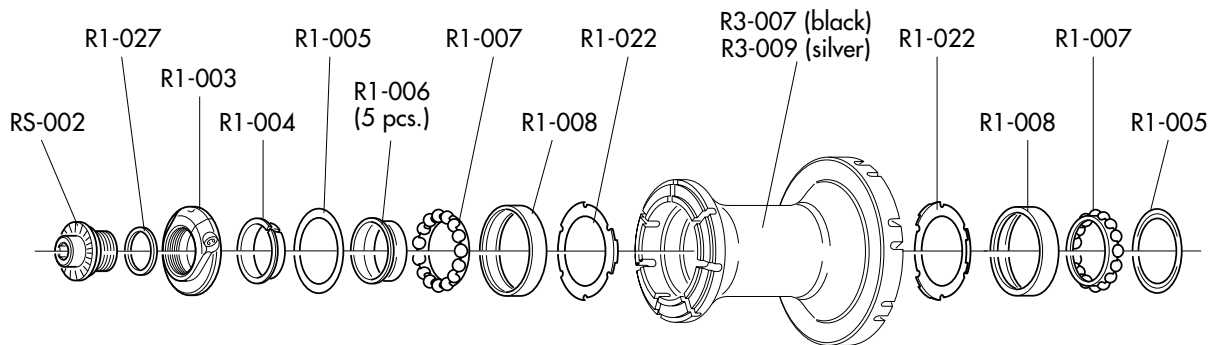
## FRONT HUB/MOZZO ANTERIORE/MOYEU AVANT



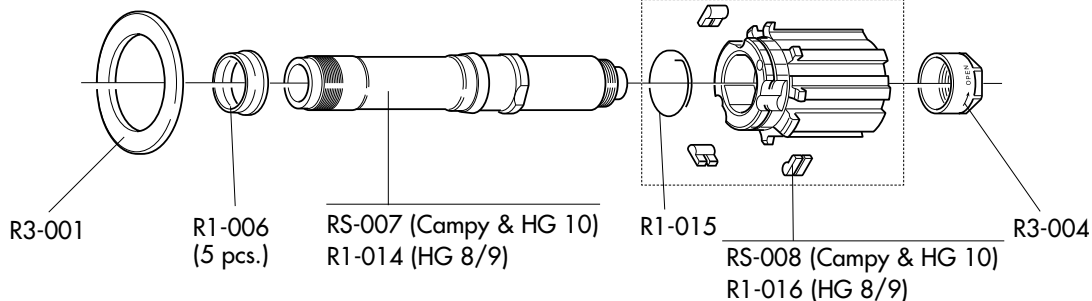


# RACING 3

## REAR HUB/MOZZO POSTERIORE/MOYEU ARRIERE



RS-005\* (RL tipo Campy / Campy type FW)  
RS-006\* (RL tipo HG 10 / HG 10 type FW)  
R3-006 (RL tipo HG 8/9 / HG 8/9 type FW)

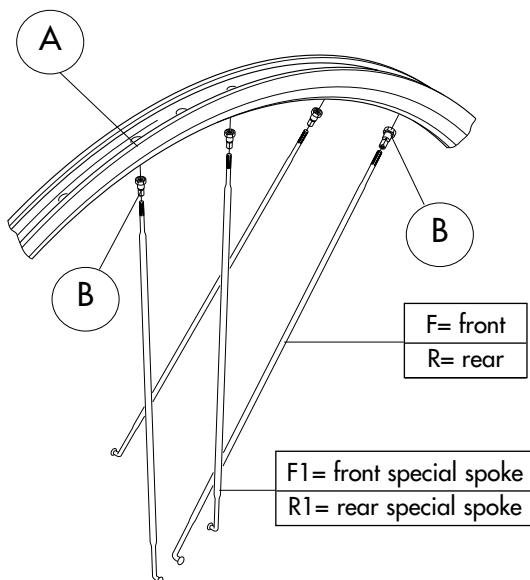


\* compatible only with new axle code RS-007



# RACING 5 clincher

## RIMS & SPOKES/CERCHI E RAGGI/JANTES ET RAYONS



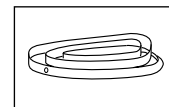
### COMPLETE LABEL KIT (front+rear)

**Black: R5-LAB6CB**

**Silver: R5-LAB6CS**

16

COMPLETE WHEELS	A	Compl. KIT
<b>FRONT</b>		
R5-5CFB BLACK	<b>R5F-CRB</b>	<b>R5F-SKB</b> (22 F + 2 F1 + 24 B)
R5-6CFS SILVER	<b>R5F-CRS</b>	<b>R5F-SKS</b> (22 F + 2 F1 + 24 B)
<b>REAR</b>		
R5-5CRBC R5-5CRBS BLACK	<b>R5R-CRB</b>	<b>R5R-SKB</b> (16 R right + 2 R1 + 9 R left + 27 B)
R5-6CRSC R5-6CRSS SILVER	<b>R5R-CRS</b>	<b>R5R-SKS</b> (16 R right + 2 R1 + 9 R left + 27 B)



RIM TAPE 16 mm:

**R5-RT**

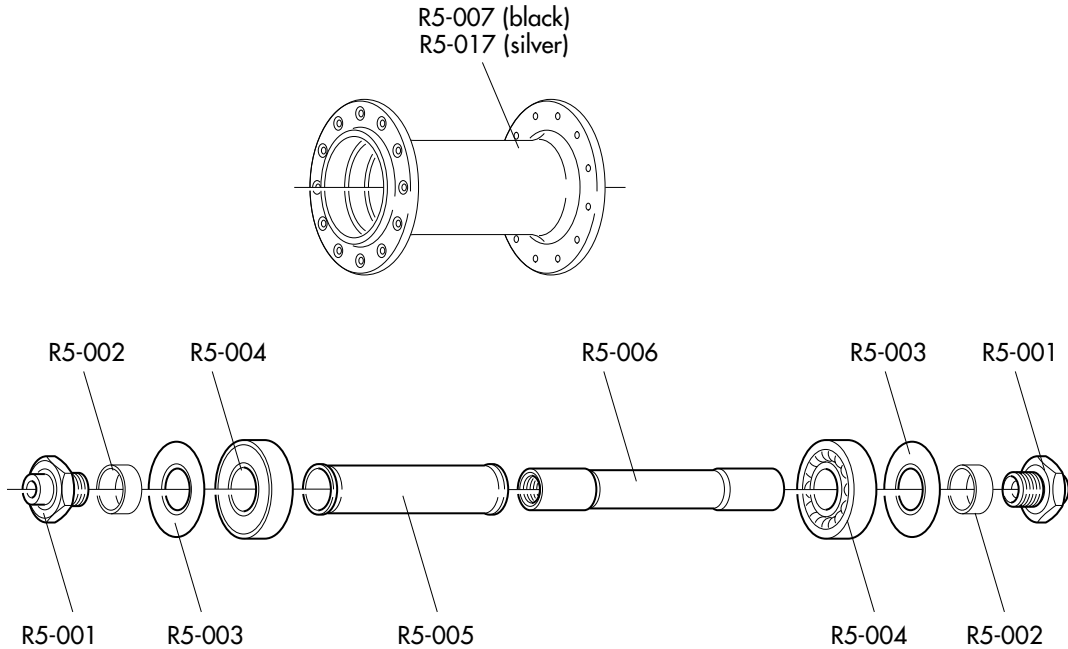
COMPLETE WHEELS	F + B	F1 + B	R1 + B	R right + B	R left + B
R5-5CFB BLACK	<b>R5F-SB</b> L. 278 mm (1 F + 1 B)	<b>R5F-SF1</b> L. 278 mm (1 F1 + 1 B)			
R5-6CFS SILVER	<b>R5F-SS</b> L. 278 mm (1 F + 1 B)	<b>R5F-SF1</b> L. 278 mm (1 F1 + 1 B)			
R5-5CRBC R5-5CRBS BLACK			<b>R5R-SR1</b> L. 286 mm (1 R1 + 1 B)	<b>R5R-SBR</b> L. 286 mm (1 R right + 1 B)	<b>R5R-SBL</b> L. 277 mm (1 R left + 1 B)
R5-6CRSC R5-6CRSS SILVER			<b>R5R-SR1</b> L. 286 mm (1 R1 + 1 B)S	<b>R5R-SSR</b> L. 286 mm (1 R right + 1 B)	<b>R5R-SSL</b> L. 277 mm (1 R left + 1 B)





# RACING 5

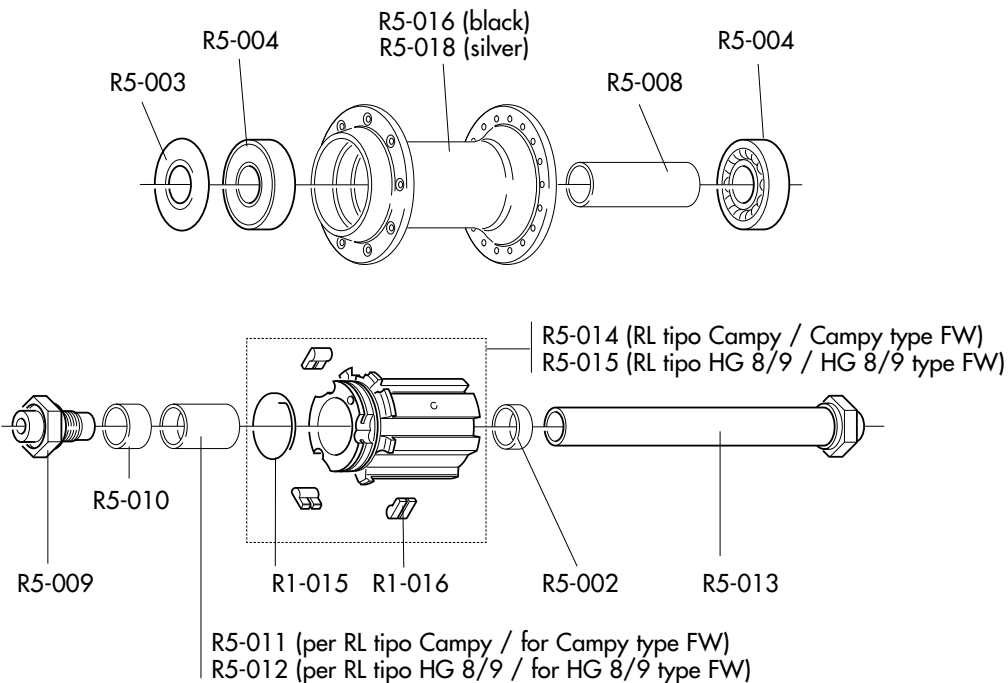
## FRONT HUB/MOZZO ANTERIORE/MOYEU AVANT





# RACING 5

## REAR HUB/MOZZO POSTERIORE/MOYEU ARRIERE





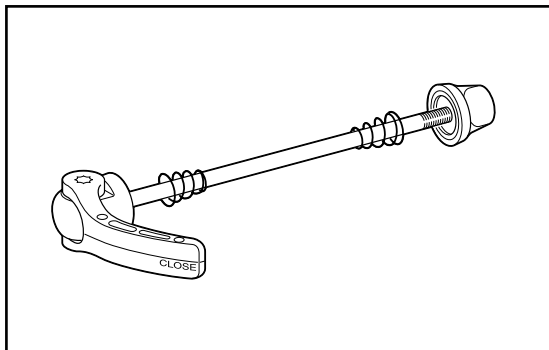
# QUICK-RELEASES/BLOCCAGGI/BLOCAGES

## R1-QF

Bloccaggio anteriore RACING 1/ SPEED / LIGHT  
RACING 1/ SPEED / LIGHT front quick release  
Blocage avant RACING 1/ SPEED / LIGHT

## R1-QR

Bloccaggio posteriore RACING 1/ SPEED / LIGHT  
RACING 1/ SPEED / LIGHT rear quick release  
Blocage arrière RACING 1/ SPEED / LIGHT



## R3-QF

Bloccaggio anteriore RACING 3  
RACING 3 front quick release  
Blocage avant RACING 3

## R3-QR

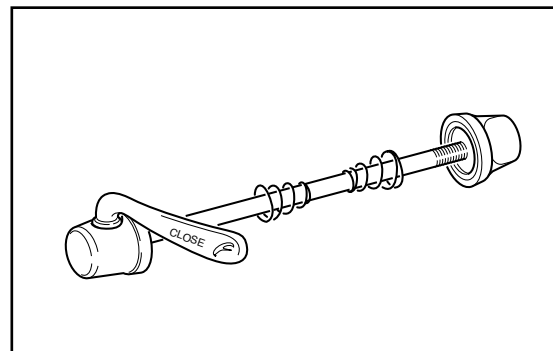
Bloccaggio posteriore RACING 3  
RACING 3 rear quick release  
Blocage arrière RACING 3

## R5-QF

Bloccaggio anteriore RACING 5  
RACING 5 front quick release  
Blocage avant RACING 5

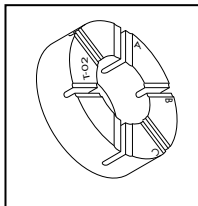
## R5-QR

Bloccaggio posteriore RACING 5  
RACING 5 rear quick release  
Blocage arrière RACING 5

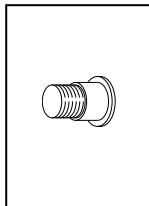




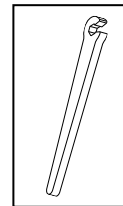
# TOOLS & VARIOUS/UTENSILI e VARI/ OUTILS et DIVERSES



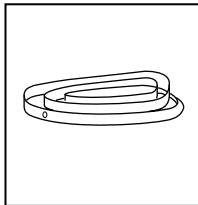
**T-02**  
Anello anti-rotazione raggi  
Spoke antirotation ring  
Bague antirotation des rayons



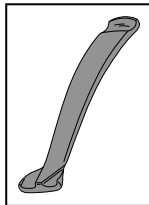
**T-03**  
Inserto nipplo attira-magnete per RACING 1  
Magnet-attracting nipple insert for RACING 1  
Insert d'écrou pour attirer l'aimant RACING 1



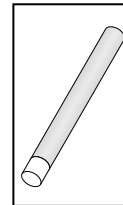
**T-01**  
Chiave tiraraggi RACING 1  
Spoke wrench RACING 1  
Clé à rayons RACING 1



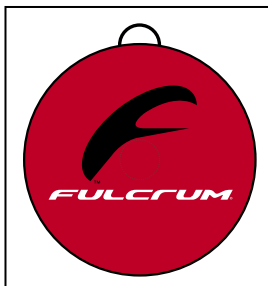
**R5-RT**  
Rim-tape  
(per RACING 5)  
(for RACING 5)  
(pour RACING 5)



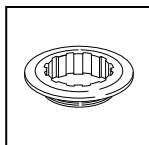
**WH-009HYC**  
Leva in composito per rimozione copertoncino  
Composite lever for removing clinchers  
Démonte-pneus en composité



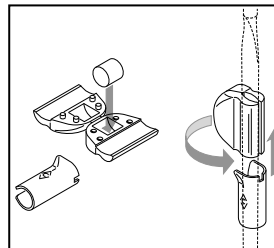
**T-05**  
Magnete guida-nipplo  
Nipple guide magnet  
Aimant de guidage écrou



**WB-01**  
Borsa per ruota  
Wheel bag  
Sac à roue



**R1-023**  
Ghiera di chiusura corpo RL tipo Campagnolo  
Lockring for Campagnolo type FW body  
Ecrou pour corps RL type Campagnolo



**T-06**  
Magnete velocità  
SPD magnet  
Aimant vitesse

**R1-024**  
Ghiera di chiusura corpo RL tipo HG 10  
Lockring for HG 10 type FW body  
Ecrou pour corps RL type HG 10

**R1-025**  
Ghiera di chiusura corpo RL tipo HG 10 (per Z11)  
Lockring for HG 10 type FW body (for Z11)  
Ecrou pour corps RL type HG 10 (pour Z11)