

WARNING!

Carefully read understand and follow the instructions provided in this manual. Failure to observe any instruction in this manual may damage the product and result in an accident, personal injury or death. This manual is an integral part of the wheels and must be kept in a safe place for future reference.

MECHANIC QUALIFICATION - Please be advised that many bicycle service and repair tasks require specialized knowledge, tools and experience. General mechanical aptitude may not be sufficient to properly service or repair your bicycle. If you have any doubt whatsoever regarding your service/repair ability, please take your bicycle to a qualified repair shop.

INTENDED USE - These Fulcrum® wheels have been designed and manufactured for use only on bicycles of the "cross-country" types. Do not use them for downhill, freestyle, acrobatic, four-cross or any extreme off-road riding. Misuse of the wheel may result in an accident, personal injury or death.

LIFESPAN - WEAR - INSPECTION REQUIREMENT - The lifespan of Fulcrum® wheels depends on many factors, such as rider size, tyres used and riding conditions. Impacts, falls, improper use or harsh use in general may compromise the structural integrity of the wheels and significantly reduce their lifespan. Some components of the wheels are also subject to wear over time. Please have your wheels regularly inspected by a qualified mechanic for any cracks, deformation, signs of fatigue or wear (use of penetrating fluid or other visual enhancers to locate cracks on parts is recommended). If the inspection reveals any deformation, cracks, impact marks or stress marks, no matter how slight, immediately replace the component; components that have experienced excessive wear also need immediate replacement. The frequency of inspection depends on many factors. Check with your authorized representative of Fulcrum Wheels S.r.l. to select a schedule that is best for you. Parts which have been bent or otherwise damaged in an accident or as a result of any other impact must not be re-straightened. They must be replaced immediately with original Fulcrum® parts.

• If you weigh over 109 kg/240 lbs we advise you not to use this product. Non compliance with this warning can damage the product irreversibly.

• If you weigh 82 kg/180 lbs or more, you must be especially vigilant and have your bicycle inspected more frequently (than someone weighing less than 82 kg/180 lbs). Check with your mechanic to discuss whether the wheels you selected are suitable for your use, and to determine the frequency of inspections.

Note: Tools supplied by other manufacturers for wheels similar to Fulcrum® wheels may not be compatible with Fulcrum® wheels. Likewise, tools supplied by Fulcrum Wheels S.r.l. may not be compatible with components/wheels supplied by other manufacturers. Always check with your mechanic or the tool manufacturer to insure compatibility before using tools supplied by one manufacturer on components/wheels supplied by another.

The user of these Fulcrum® wheels expressly recognizes that there are risks inherent in bicycle riding, including but not limited to the risk that a component of the bicycle can fail, resulting in an accident, personal injury or death. By his purchase and use of these Fulcrum® wheels, the user expressly, voluntarily and knowingly accepts and/or assumes these risks, including but not limited to the risk of passive or active negligence of Fulcrum Wheels S.r.l. or hidden, latent or obvious defects in the product, and agrees to hold of Fulcrum Wheels S.r.l. harmless to the fullest extent permitted by law against any resulting damages.

If you ever have any questions, please contact your mechanic or your nearest Fulcrum® dealer for additional information.

Please note that throughout this manual, reference is made that an accident could occur. Please note that any accident can result in damage to your bicycle and, more importantly, personal injury or, death to you or a bystander. Always follow all warnings and instructions in this manual.

Never make any modifications whatsoever to the Fulcrum® wheels or its components.



WARNING!

Always wear gloves and protective goggles when working on the wheels.

PRE-RIDE INSPECTION

WARNING!

• Ensure that the quick release is adjusted correctly (see the "Quick Release" instruction leaflet). Bounce the bike on the ground from a height of about 10 cm/4" to ensure that there are no loose parts. An incorrectly adjusted quick release can lead to detachment of the wheel and result in an accident, personal injury or death.

• Ensure that the tyres are in good condition and check the inflating pressure before every ride.

• **Rim/tyre compatibility** - Fulcrum® rims are made with extreme dimensional precision. If fitting the tyre onto a Fulcrum® rim is too easy, the tyre might be too big. Use only high-quality tyres whose fitting requires reasonable force. A tyre that is too big could result in unexpected loss of tyre pressure, an accident, personal injury or death.

• Check the condition of the rim regularly, and replace the rim when necessary. A worn rim or one showing signs of fatigue can break suddenly resulting in an accident, personal injury or death.

• Ensure that there are no damaged or loose spokes.

• Ensure that the wheels are centred perfectly. Turn the wheel to ensure that it does not wobble up and down or from one side to the other and that. The use of wheels that are not centred properly or that have broken or damaged spokes can result in an accident, personal injury or death.

2.4 - UNPUNCTURES provided by the brake manufacturer before use.

• Ensure that the brake cables and components are in good condition.

• Check the correct operation of the brakes before starting to ride.

• If you are using the bike on wet surfaces, remember that the adherence of the tyres on the ground can vary considerably and make it more difficult to control the bike. Also remember that because of the progressive drying of the braking surface while braking, the braking power can change sharply. Therefore take greater care when cycling in wet conditions to prevent possible accidents.

• Carefully follow the periodical maintenance program (See Chapter 5).

• Always use original Fulcrum® spare parts.

• Always use a spoke protection disc on the rear wheel. Check periodically that it is positioned correctly.

• Always wear a properly fitted and fastened bicycle helmet that is approved in the country of use.

• Learn and comply with the rules of the road and the cycling regulations in the place in which you use the bike.

• Wear clothes that are close-fitting and make you easy to see (fluorescent or bright colours). Do not cycle at night as it is more difficult to be seen by others and to distinguish obstacles in your path. If you use the bike at night, use adequate lights and reflectors, fitted securely and clean.

• If you have any other questions or comments, please contact your mechanic or nearest Fulcrum® dealer.

1. TECHNICAL SPECIFICATIONS

	DISC BRAKES VERSION
Rim size	26 Tubeless FRONT 100mm - REAR 135mm
O.L.D.	FRONT (QR): RMCF-DSK01 FRONT (HH15): RMCF-DSK02 REAR: RMCR-DSK01
Spokes lenght (KIT):	
Inflation pressure	see Table 1 - OPERATING PRESSURES

TABLE 1 - Operating Pressures

Dimension [in]	Max. Pressure [bar]	Max. Pressure [psi]	Dimension [in]	Max. Pressure [bar]	Max. Pressure [psi]
1,00	8,0	116	1,95	4,1	59
1,10	7,3	106	2,00	4,0	58
1,20	6,7	97	2,10	3,8	55
1,25	6,4	93	2,13	3,8	55
1,38	5,8	84	2,20	3,6	52
1,50	5,3	77	2,25	3,6	52
1,60	5,0	73	2,30	3,5	51
1,75	4,6	67	2,35	3,4	49
1,85	4,3	62	2,40	3,3	48
1,90	4,2	61			

2. TYRES

In order to properly and safely use Fulcrum rims, a perfect seal must exist between the rim and tire. While Fulcrum makes no representations about their performance or quality, and is not responsible for any possible failure of the tire, Fulcrum has only tested its rims for use with tubeless tires. The rider assumes the risk of an accident in the event a different tire is used.

WARNING!

Avoid personal injury or death. Use only tubeless tires with Fulcrum rims.

The wheels you have purchased have been designed for use with tubeless tyres.



ATTENTION!

Never use a standard tyre on an Ultra-Fit Tubeless rim. Only use tubeless tyres. To recognize a tubeless tyre, check for the tubeless wording or logo.

2.1 - FITTING THE M1-102 TUBELESS VALVE (Fig. 1)

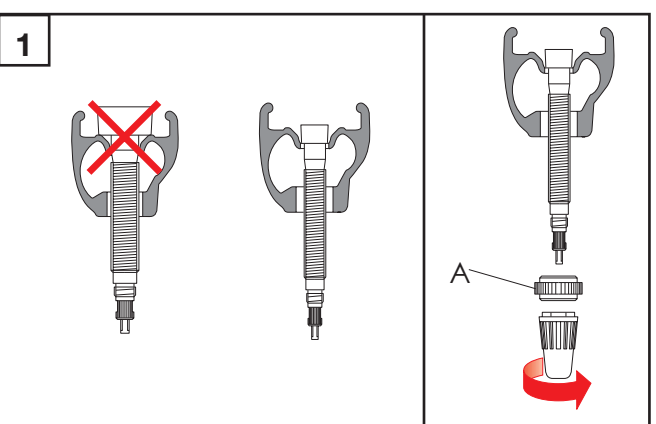
Notes

- The valve is supplied already fitted on the rim.

- Periodically check the tightness of the valve and of the entire Tubeless system (see paragraph 2.6). We recommend changing the Tubeless valve once a year to optimize tightness.

- Only use original Fulcrum® M1-102 valves.

- Tighten the valve ring (A - Fig. 1) by hand only.



2.2 - FITTING THE TUBELESS TYRE

WARNING!

Whenever possible, install or remove tires by hand. If you are unable to do so, and must use a tool, use only the tire lever supplied with the wheel. Any other lever may damage the tire or rim, resulting in sudden an unexpected loss of tire pressure and an accident.

• Moisten the base of the rim with soap and water.

• Fit the first bead of the tyre into the rim groove (Fig. 2) starting from the point opposite the valve.

• Fit the other bead of the tyre into the rim groove (Fig. 3) starting from the point opposite the valve, and continue around the whole circumference of the rim (Fig. 4).

Note

To prevent damaging the tyre it is necessary to complete the insertion of its bead exactly in correspondence with the valve.

• Check that the tyre is positioned correctly on both sides of the valve zone (Fig. 5).

• Ensure that the tyre is positioned correctly by moving it delicately ahead and behind on the rim (Fig. 6).

2.3 - INFLATING THE TUBELESS TYRE

• Remove the valve cap (B - Fig. 7).

• Unscrew the valve ring (C - Fig. 7).

• Inflate the tyre until the two tyre beads go into place correctly (Fig. 8); you may hear a series of noises as the tyre settles while inflating.

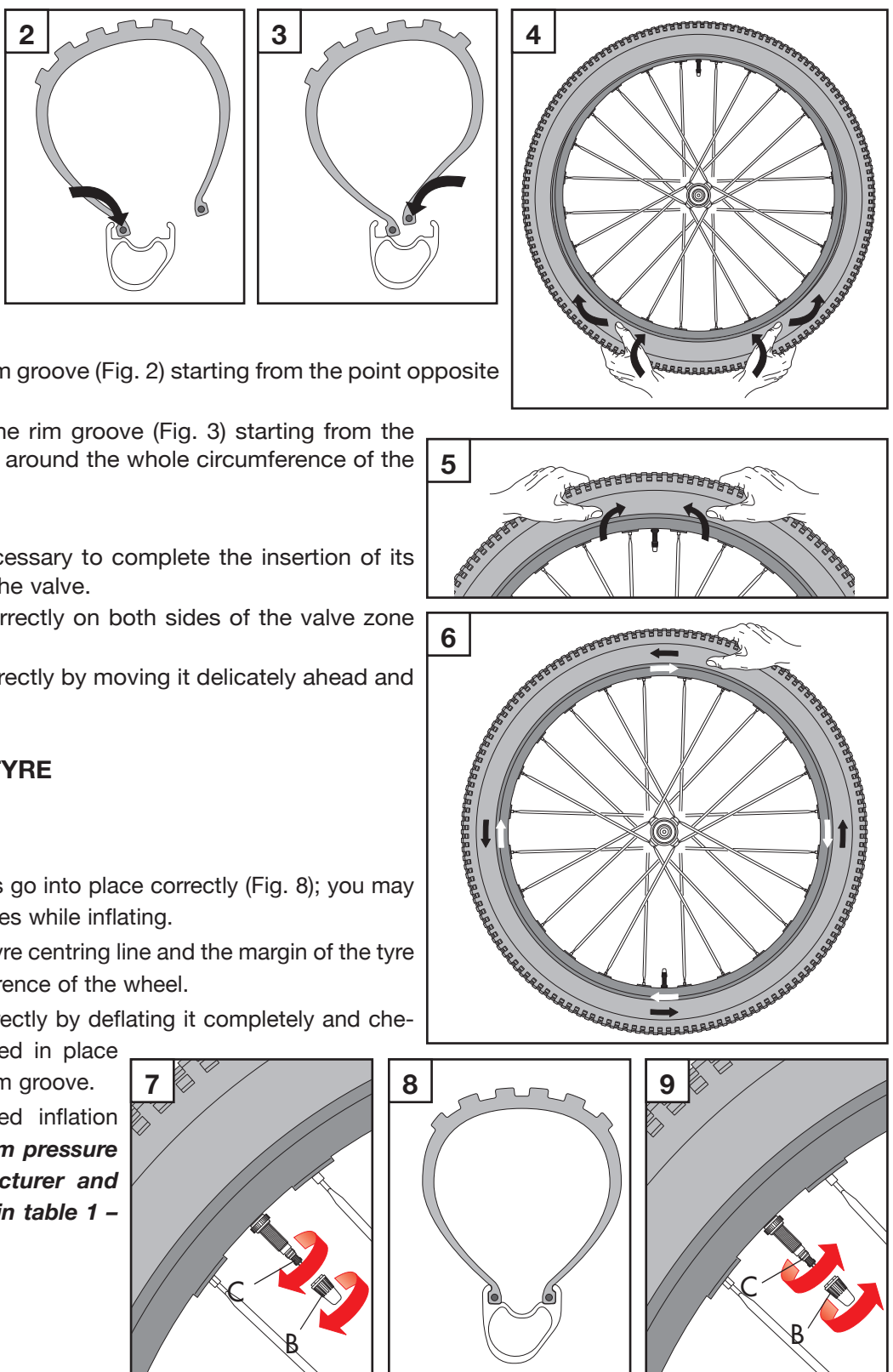
• Check that the distance between the tyre centring line and the margin of the tyre is constant around the whole circumference of the wheel.

• Ensure that the tyre is positioned correctly by deflating it completely and checking that the tyre beads stay coupled in place (Fig. 8) and do not drop towards the rim groove.

• Inflate until you achieve the desired inflation pressure. **Never exceed the maximum pressure recommended by the tyre manufacturer and the maximum for the rim indicated in table 1 - Operating pressure.**

• Screw back the valve ring (C - Fig. 9)

• Put back the valve cap (B - Fig. 9).



When you puncture the tyre, the air leakage is slow and not immediate and in some cases allows you to keep on pedalling back home. Remember that a Tubeless tyre can be repaired by applying a puncture repair patch or spray or by fitting a traditional inner tube.

NEVER use pierce-resistant sealers containing alkaline substances (ammonia - sodium hydroxide).

2.4.1 - How to insert an inner tube

Notes

- the inner tube must be fitted with a valve of the Presta type (Ø 6,5 mm)

WARNING!

Never enlarge the valve hole or redrill the rim. The rim would be irreparably damaged and would no longer permit the use of the Tubeless valve that is indispensable for the tightness of the Tubeless system.

- the use of rim tape is not required.

• Deflate the tyre (Fig. 10).

• Starting from the point opposite the valve, press one side of the tyre with your hands until you uncouple the bead from its seat (Fig. 11), making it drop into the rim groove (Fig. 12). Continue around the whole wheel circumference (Fig. 13).

• Starting from the valve, pull the tyre until it comes out of the rim (Fig. 14). Continue around the whole wheel circumference.

• Unscrew the valve ring (A - Fig. 15) by hand and remove the valve.

• Moisten the base of the rim with soap and water.

• Introduce a partially inflated presta inner tube into the tyre (Fig. 16).

• Fit the other bead of the tyre into the rim groove (Fig. 17) starting from the point opposite the valve, and continue around the whole circumference of the rim (Fig. 4), taking care not to pinch the tube.

• Inflate the inner tube until the two tyre beads go into place correctly (Fig. 18).

WARNING!

Also when using an inner tube, proper coupling is absolutely necessary for preventing the tyre from coming off resulting in an accident, personal injury or death.

2.5 - REMOVING THE TYRE

WARNING!

Whenever possible, install or remove tires by hand. If you are unable to do so, and must use a tool, use only the tire lever supplied with the wheel. Any other lever may damage the tire or rim, resulting in sudden an unexpected loss of tire pressure and an accident.

• Deflate the tyre (Fig. 10).

• Starting from the point opposite the valve, press one side of the tyre with your hands until you uncouple the bead from its seat (Fig. 11), making it drop into the rim groove (Fig. 12). Continue around the whole wheel circumference (Fig. 13).

• Starting from the valve, pull the tyre until it comes out of the rim (Fig. 14). Continue around the whole wheel circumference.

• Carry out the same operations on the other side of the tyre (Fig. 19 and 20).

Note

Completely remove one side of the tyre before going on to the other side.

• Lift off the tyre (Fig. 21).

2.6 - CHECKING THE TIGHTNESS OF THE TUBELESS SYSTEM (TUBELESS RIM + TUBELESS TYRE)

• Check that the tyre and rim are in good condition.

• Check that the inside of the tyre and rim are perfectly clean; clean them with a cloth if necessary.

• Put the tyre back after moistening the base of the rim with soap and water.

• Check that the tyre is coupled perfectly by inflating it to a pressure slightly above the recommended value (see Table 1 - Operating Pressures) and then deflating it completely: the tyre beads must remain coupled with the rim and not drop down into the rim groove.

• Inflate the tyre to a pressure of 3 bar, immerse the wheel with its tyre in a basin of water or use a leakage detector spray to check for cuts or punctures. Replace the tyre if necessary.

• If the leakage is in the valve zone, remove the valve, apply grease on the rubber part of the valve in contact with the rim and replace the valve. If leakage continues, change the valve.

If after all these checks the tightness of the Tubeless system is still not satisfactory, contact your nearest Fulcrum® dealer.

3. ASSEMBLY AND DISASSEMBLY OF HG 8/9/10s OF SHIMANO INC. and PG 8/9/10s OF SRAM CORP. SPROCKETS

3.1 - ASSEMBLY

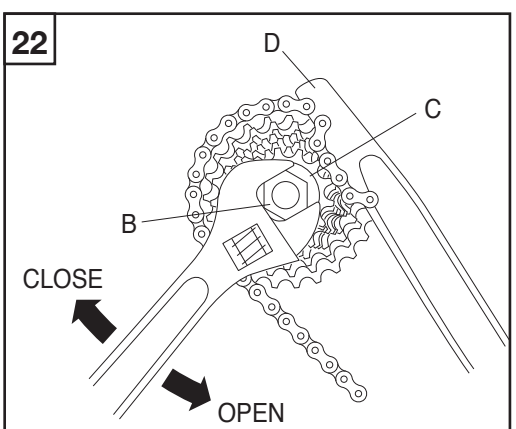
• Fit the sprockets onto the freewheel body.

• Using tool TL-LR15 from Shimano Inc. or FR-5 from Park Tool Co. (B - Fig. 22) tighten the ring (C - Fig. 22), provided with the sprockets, on the freewheel body to the tightening torque indicated from the ring manufacturer.

3.2 - DISASSEMBLY

• Remove the ring (C - Fig. 22) using tool TL-LR15 from Shimano Inc. or FR-5 from Park Tool Co. (B - Fig. 22) and a chain whip (D - Fig. 22).

• Remove the sprockets from the freewheel body.



4. BRAKES

Fulcrum® Red Carbon™ XRP wheels are available in the following versions:

- for disc brakes with the ISO 6-bolts system;

- for disc brakes "Center Lock" (with Fulcrum® Axial Fixing System" - not compatible with "Center Lock" Oversize) - WHERE EXPECTED.

WARNING!

Choose the appropriate version for the type of brakes used. Do not use traditional brakes on a wheel for disc brakes and vice versa. Improper matching could result in an accident, personal injury or death.

Note

For use and maintenance instructions of the brakes, refer to the Instruction Leaflet provided by the brake manufacturer.

4.1 - ASSEMBLING THE ROTOR ON AXIAL FIXING SYSTEM® SYSTEMS (WHERE EXPECTED)

• Fit the rotor into its seat, taking care with the direction of rotation indicated by the arrow (Fig. 23).

• Fit the washer (A - Fig. 23) and screw the provided lockring, code M1-101 (B - Fig. 23).

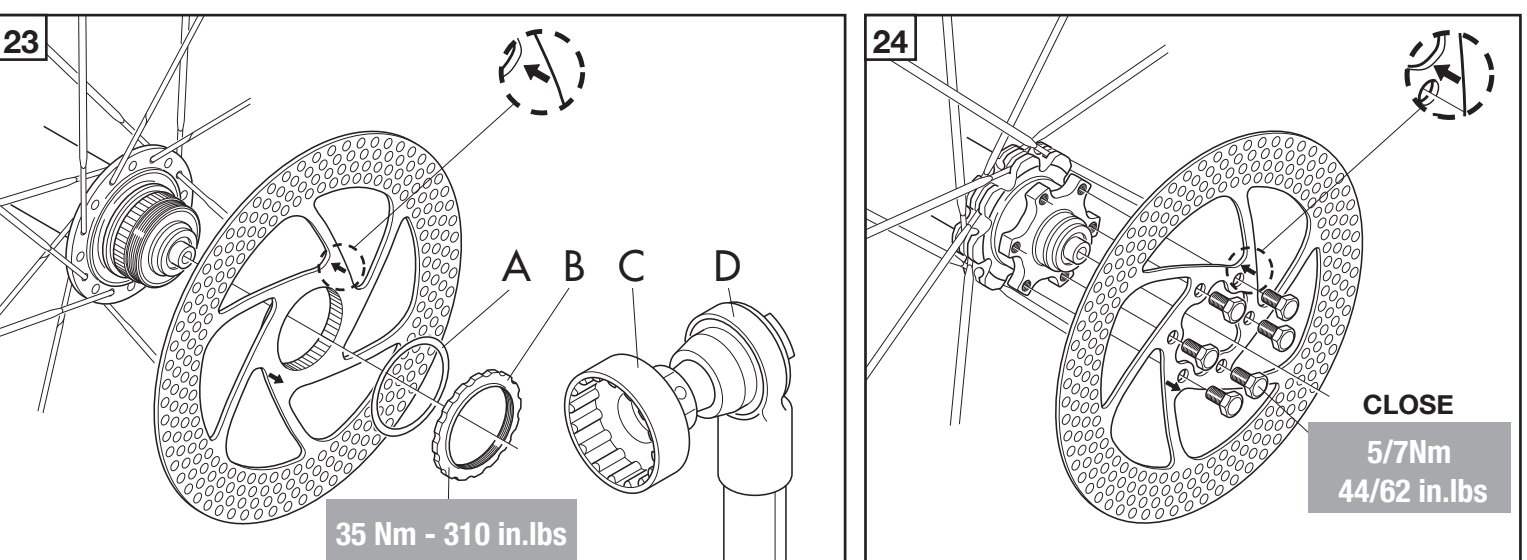
• Tighten the locking to **35 Nm (310 in.lbs)** using the tool UT-BB130 (C - Fig. 23 - not provided) and torque wrench (D - Fig. 23).

4.2 - ASSEMBLING THE ROTOR ON THE ISO 6-BOLTS SYSTEM

• Fit the rotor into its seat, taking care with the direction of rotation indicated by the arrow (Fig. 24)

• Screw in the 6 screws to **5/7 Nm (44 / 62 in.lbs)** (Fig. 24).

• Use the Loctite® 290 on the screws.



5. PERIODICAL WHEEL MAINTENANCE

Note

We recommend that you contact a specialized mechanic for all the assembly, disassembly and all hub, rim and spoke replacement operations. Choose with him the most suitable interval of inspections for you on the basis of the conditions of use and intensity of your activities (e.g. racing, rain, salted roads, muddy roads, cyclist's weight, etc.).

WARNING!

All operations of the nipples should be performed using the special T-11 tool, included in this kit. Use of other tools could damage the nipples failure resulting in an accident, personal injury or death.

ATTENTION! NOTE FOR SPECIALIZED MECHANICS
CONTACT YOUR FULCRUM® SALES PARTNER OR YOUR FULCRUM SERVICE CENTER FOR THE INSTRUCTIONS FOR ASSEMBLING, MAINTAINING AND REPLACING RIMS, SPOKES AND HUBS.

5.1 - CLEANING THE WHEELS

Only use non-aggressive products such as water and neutral soap or specific products designed for cleaning bicycles when cleaning the wheels. Do not use detergents or chemical cleaners. Dry them using a soft cloth. Never use abrasive or metal pads.

NOTES

- Salt, mud and sand seriously damage bicycles and their components. Thoroughly rinse, clean and dry your bike after using it in these conditions.

- If you use water under pressure to wash your bike, we recommend that you never point the water jet directly onto the hubs. Water under pressure, even just from the nozzle of a garden hose, can penetrate the seals inside hubs and irreparably damage the bearings.

5.2 - TRANSPORT AND SAFEKEEPING

When you transport the wheel separately from the bike or if you do not intend to use the wheel for a while, put it in a wheel bag to protect it from impacts, dust and dirt.

This product is protected by one or more of the following:

• Patents: EP 1602570

• Patent applications: CN 0510074749.1 - EP 07022174.2 - EP 07022175.9 - EP 07425787.4 - IT M2006A002215 - IT M2006A002215 - IT M2006A002285 - IT M2007A002231 - IT M2007A002232 - JP 2005-155010 - TW 94113301 - TW 94142532 - TW 94142534 - US 11136237 - US 11862354 - US 11862358 - US 11956213

• Designs: EP 624383

Fulcrum Wheels S.r.l.

Via Enrico Fermi 13 - 36057 Arcugnano (VI) - ITALY

tel. +39-0444-289306

fax +39-0444-280749

TECH-INFO: technical@fulcrumwheels.com

www.fulcrumwheels.com

Fulcrum Wheels S.r.l. reserves the right to modify the content of this manual without prior notice.

The updated version will always be available on www.fulcrumwheels.com.

On our website you will also find information on the other Fulcrum® products and the spare parts catalogue.

ENGLISH

RED CARBON XRP

USER'S MANUAL